

Parts IV-11 DCF melody Date, Weekday, Temperature

Parts PSU			Parts Bag 1a
PCB	1x		
Power Adapter	1x	12 Volt /15 V	
F1		Bridge / NTC 10R black	
R1	1x	4,7M	yellow, violet, green
R2	1x	1M	brown, black, green
R3	1x	1K	brown, black, red
R4	1x	33k	orange, orange, orange
P1	1x	220k-1M	
C1	1x	10uF	
C6	1x	47nF	473
MosFet	1x	K2399	
OK	1x	AQY212 SOP-4	
P6KE9.1	1x	Diode	
IC Socket	1x	8 pin	
IR2155-1	1x	CONTROL IC	
DC - DC 5 Volt	1x	Step down module	
DC-DC	1x	Step Up Modul	
D	1x	1N4007	
DC Connector	1x	5,5 / 2,1	
Dimmer + Adhesive pad	1x	LM393 Modul	
Parts CPU			Parts Bag 1b
R10	1x	1k	brown, black, red
R11	1x	10k	brown, black, orange
R16	1x	470	yellow, violet, brown
Array 8x	1x	10k	103
C11	1x	10uF	
C9, C10	2x	33 / 36pF	
Quarz	1x	12Mhz	
IC1 Socket	1x	40 pin	
IC2, IC4 Socket	2x	18 pin	
IC 3 Socket	1x	16 pin	
IC1	1x	AT89C52 DCF refurbished	
IC2, IC4	2x	LB1240 refurbished	
IC3	1x	74LS42 refurbished	
J1		Bridge	Date on IV-18
J2		Bridge	Time - 1h
USB plug	1x		
L1 Female header	1x	10 pin	
L2 Female header	2x	6 pin	

Parts Display main		Parts Bag 2	
PCB	1x		
R17	1x	NTC 5 Ohm	green
R18	1x	10k	brown, black, orange
LED 1 - 6	7x	RGB LED slow	1 x LED reserve
LED 1 - 6	7x	LED blue	1 x LED reserve
You can choose RGB or blue Led's			
Male header	1x	10 pin	
Male header	2x	6 pin	
Spacer 25mm	5x		
Screw M3x8 / 10	10x		

Parts Display Var.1 6 x IV-11		Parts Bag 2	
VFD Tubes	6x	IV-11	
VFD Tubes	2x	IV-1	
Spacer	6x	15mm	
R19	1x	75 R	
R20	1x	4,7k	
D1	1x	1N4148	
T3	1x	PNP Transistor	

Parts Display Var.2 4 x IV-11 2 x IV-6		Parts Bag 2	
VFD Tubes	4x	IV-11	
VFD Tubes	2x	IV-6	
Spacer	6x	15mm	
R20,R21	2x	22R	red, red, black
R19/1		Bridge	
PCB 2 Led's	1x		
Resistor 1k	1x		
Acrylic tube	1x		
Male header 3 pin.	1x	Pin2 take off	

Extension Soundmodul		Parts Bag 3	
P11	1x	Trimmer 50R	
C4	1x	220uF / 22uF	
T3	1x	micro SW	
Sound Modul	1x	DF-Player	
microSD card	1x		
USB Stick	1x	For microSD Karte	
Female header	2x	8pin	
LS + 4 x Screw	1x	Speaker, Screw	
Male header	1x	2 pin right angle for speaker	
Cable 2 pin.	1x	2 pin for speaker	

DCF 600 Receiver				Parts Bag DCF
DCF Module	1x			
PCB	1x			
NPN Transistor	1x			
Resistor RV	1x	470		yellow,violet,brown
Resistor 1k	1x	1k		brown,black,red
Resistor 100k	2x	100k		brown,black,yellow
Capacitor, Elko	2x	22uF		
Capacitor 100nF	1x	100nF		104
Capacitor 10nF	1x	10nF		103
LED	1x			
ZD 2,4V/2,7	1x			
Male header 4pin.	1x	for DCF Modul		
Male header 5 pin.	1x			Pin 2 and 4 take off
Gehäuse + Screw	1x			
Cable ties	2x			
Adhesive pad	1x			
3.5 Audio Cable	1x			

Extension Datum IV-18			Parts Bag 4
R5	1x	33k	orange, orange, orange
R6	1x	82R / 100R	gray, red, brown / brown, black, brown
P2	1x	220k-500k	
C7	1x	47nF	473
IC Socket	1x	8 pin	
IC Socket	1x	18 pin	
IC5	1x	LB1240 refurbished	
IR2155-2	1x	CONTROL IC	
VFD Display	1x	IV-18	
PCB IV-18	1x	round + Shrinkable tubing	
H3, H4 Male header	1x	2pin. Filament	
Cable	1x	2pin. Filament	
L3, L4 Female header	2x	8 pin. Raster 2.0	
Cable	2x	8 pin. Raster 2.0	
Draht 1mm	1x		
Adhesive pad	2x	3 mm	
M3 x 15	1x	M3 x 15 + Hex Nut + Tube	
Cable ties	5x		

Extension Weekday IV-25 / 26			Parts Bag 5
R7	1x	68R IV-25	blue, gray, black, (brown)
R7	1x	24R IV-26	red, yellow, black
R9	1x	47k	yellow, violet, orange
NPN	1x	Transistor	
R-1205	1x	DC - DC isolated	
VFD Display	1x	IV-25 / 26	
Wire	1x	red / black	
Lable WT	1x		
Adhesive pad	2x	1mm	

Extension Weekday 2 x IV-3			Parts Bag 5
PCB	1x		
DC DC step down	1x	1.8 Volt	
VFD Tubes	2x	IV-3 9 Segment	
Dioden	60x	1N4148 2x Reserve	
H7, H8 Male header	1x	2 pin. Filament	
Cable	1x	2 pin. Filament	
Male header	1x	8 pin.	for IV-3A PCB
Female header	1x	8 pin.	for Grund PCB
Screw M3x6	4x		
Spacer	2x	10mm	
Resistor 100 Ohm	1x	Compensation for brightness differences IV-3A Direct to the filament. Red mark.	

Extension Temperature Transmitter			Parts Bag 6
Temp. Transmitter	1x		
NTC Sensor, Cable	1x	10K 3470	

Extension Temperature Receiver			Parts Bag 7
Receiver module	1x	433 Mhz	
PCB	1x		
Female connector	2x	10 pin.	Socket for AT89C2051
AT89C2051	1x		
Qz2	1x	10.0592 Mhz	
LED	1x		
Transistor	1x	NPN	
R13,R14	2x	10k	brown,black,orange
R12	1x	1k	brown,black,red
Capacitor	2x	33p / 36p	
C2	1x	22uF	
C3	1x	10uF	104
Silver wire	1x		Antenna
Wire	1x		alternate Antenna

GPS Receiver			Parts Bag GPS
PCB	1x		
Case	1x		
R1,R2	2x	4,7k	gelb,violett,rot
R3	1x	1k	braun,schwarz,rot
R4	1x	10k	braun,schwarz,orange
C1	1x	100uF	
C2	1x	10uF	
C3	1x	100nF	104
C4,C5	2x	33pF	
Qz	1x	11.0592 Mhz	
LED	2x		
Dip Switch	1x	5 way	
Switch self lock	1x		Summertime
Female connector	2x	10 pin.	Socket AT89LP4052
AT89LP4052	1x		
mini USB Buchse	1x		
Lötstifte	3x		
RTC 3231 Module	1x		
GPS Modul	1x		
USB Kabel	1x		
Battery holder	1x		
Li-Batt. CR1220	1x		
Pads	4x		
Screw M3 + hex nut polyamid, cap nut			

Case OpenSky for IV-11			
Aluprofile	2x	brown, bronze	
Bottom Plate	1x	black PVC	
Side Panel	2x	Acryl black	
Top Plate	1x	Acrylic 0,5mm transparent	
Hand Twist Screw	4x	M3 x 12mm	
Screw M3	4x	M3 x 12mm	
Hex Nut M3	4x	Polyamid	
Washer	8x		
Hex Nut M3	4x		

Assembly instructions here:

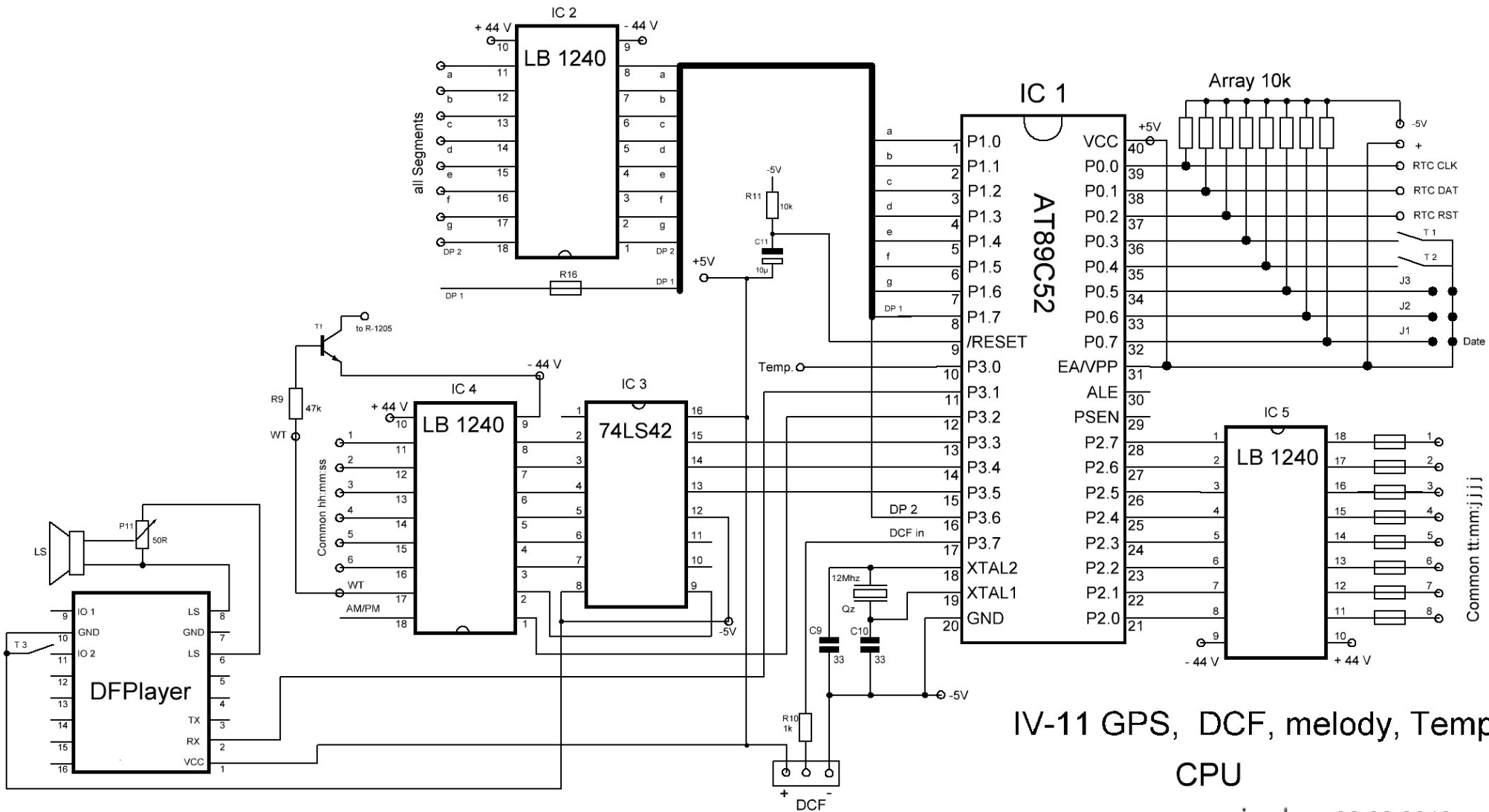
www.grother.de/downloads-01.html

Video here:

www.youtube.com/watch?v=ZtNa8YrvCAY&feature=youtu.be

gr-projects

10.08.2020



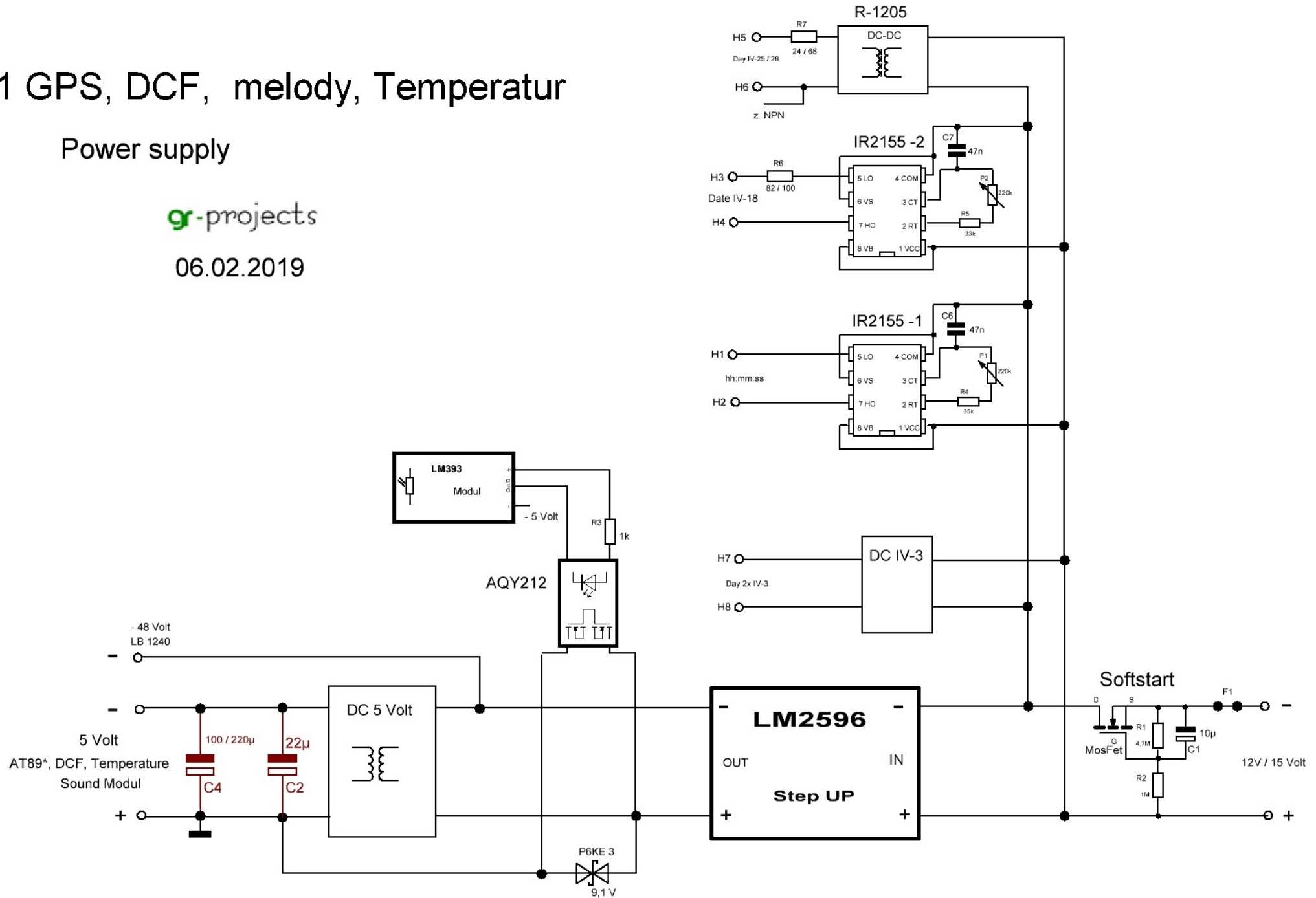
IV-11 GPS, DCF, melody, Temperature CPU

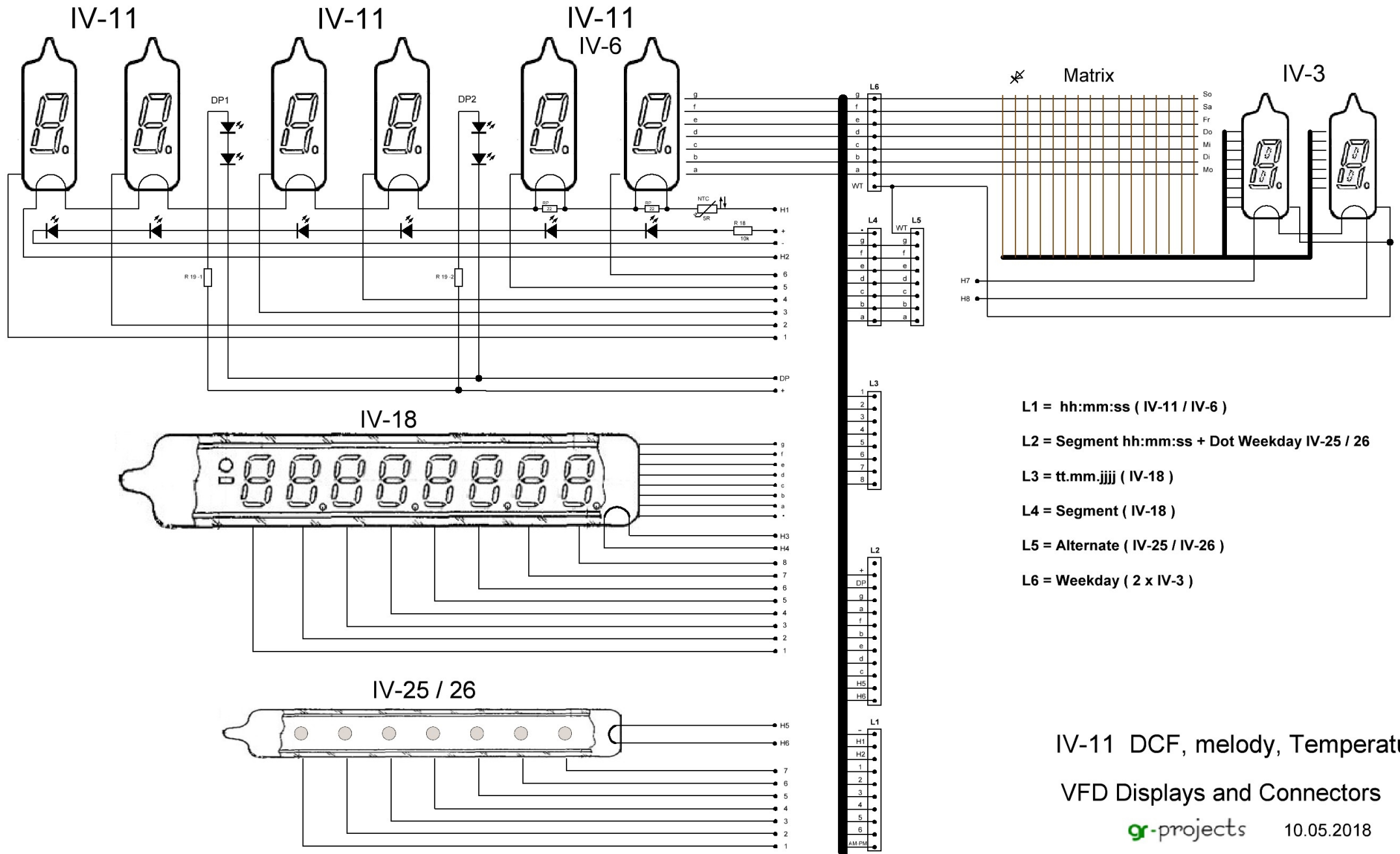
IV-11 GPS, DCF, melody, Temperatur

Power supply

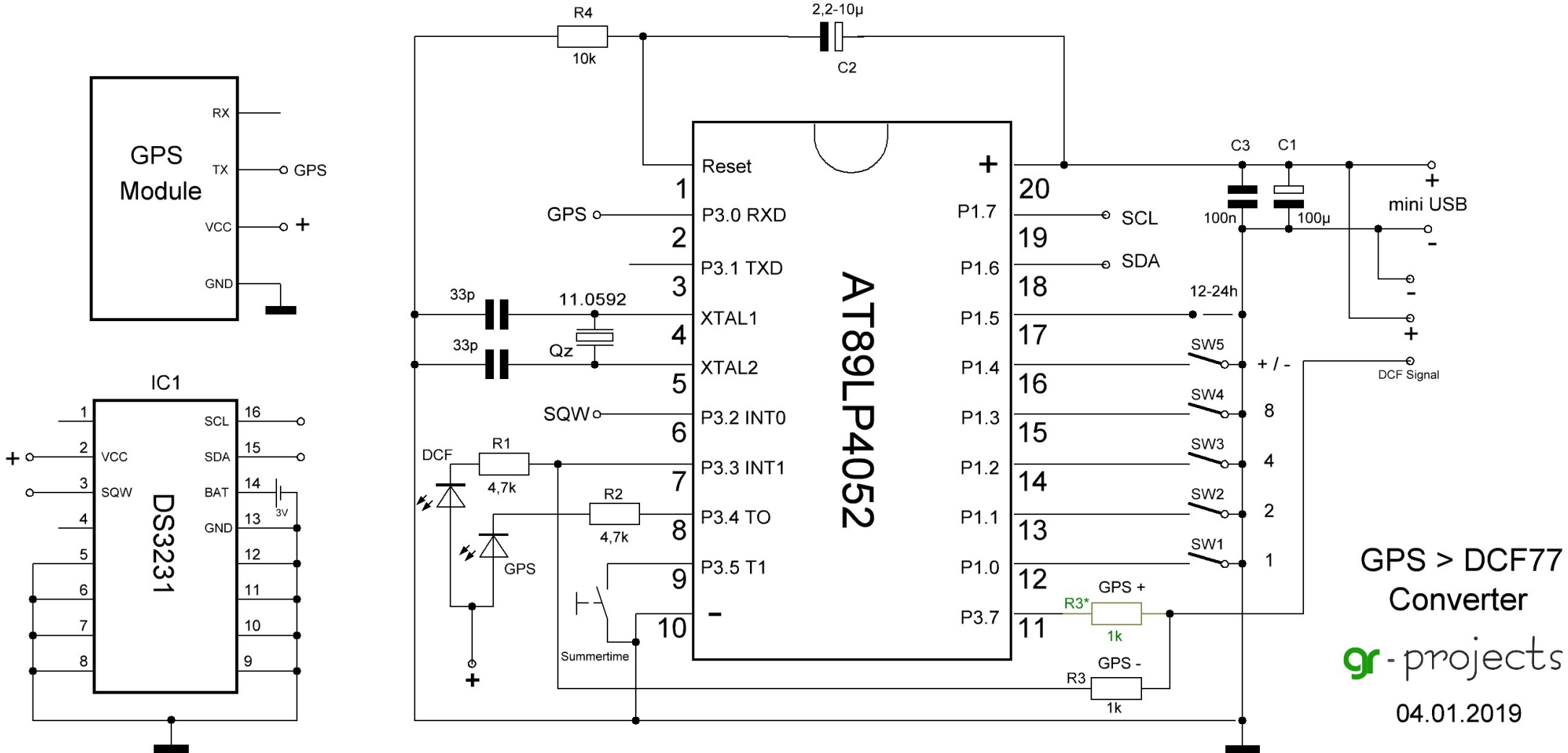
gr-projects

06.02.2019





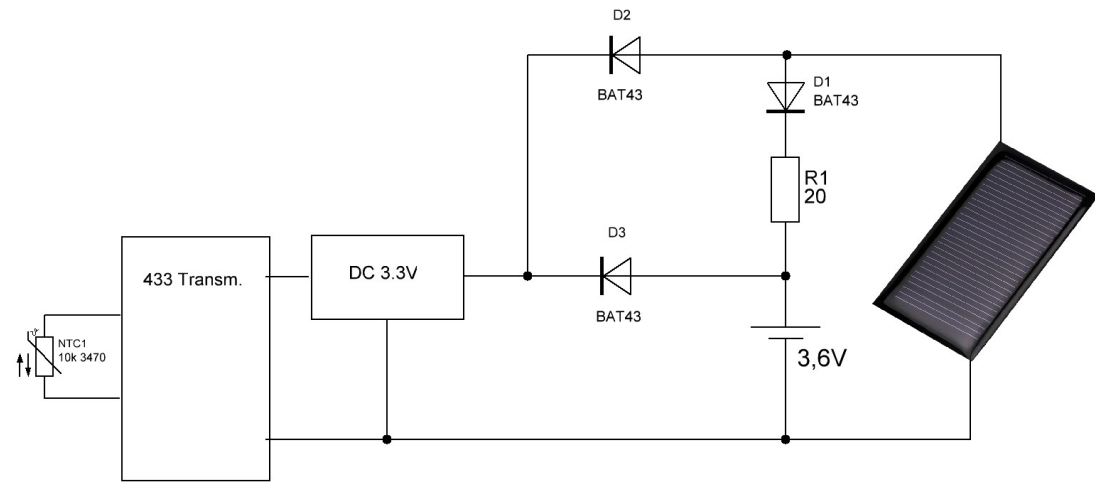
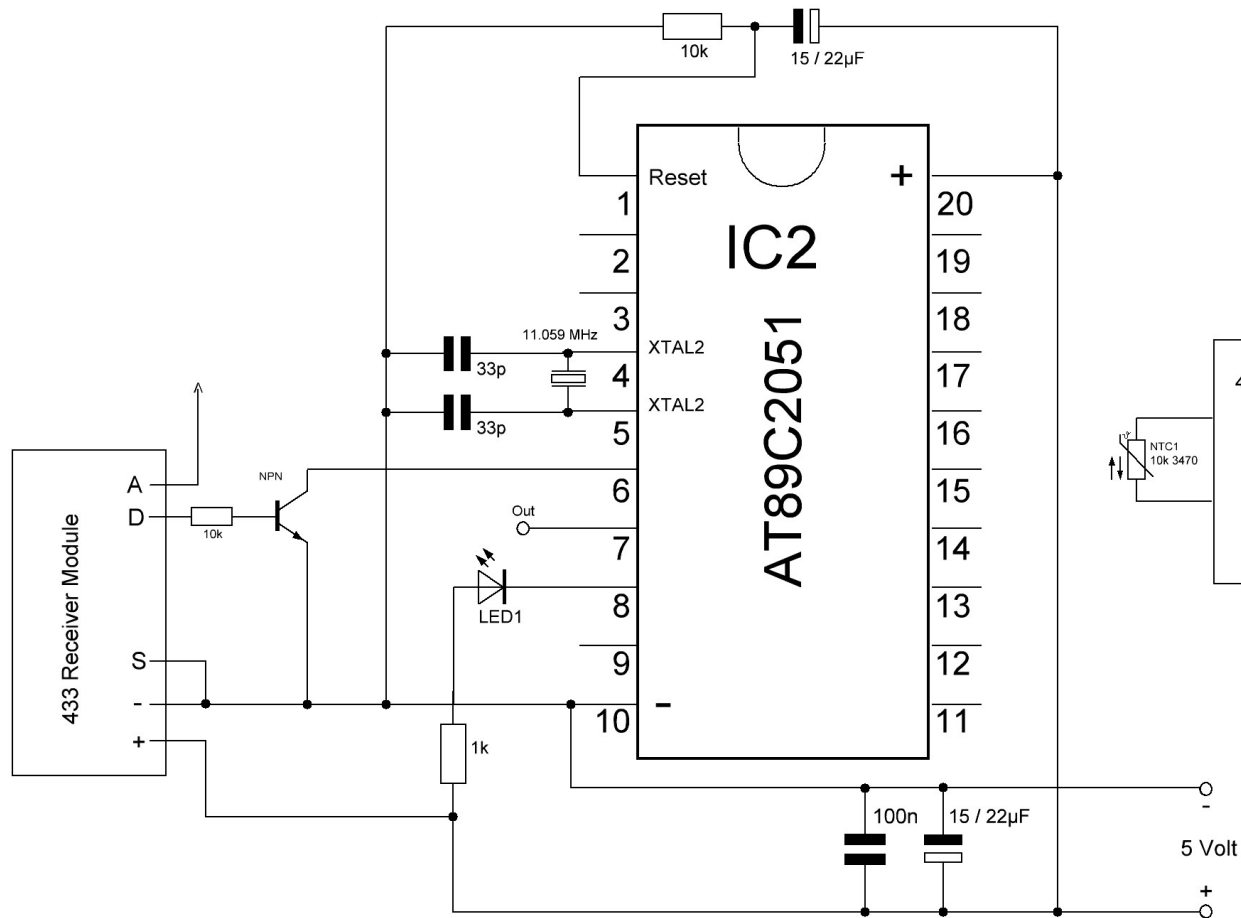
IV-11 DCF, melody, Temperatur
VFD Displays and Connectors



GPS > DCF77
Converter

gr - projects

04.01.2019



IV-11 DCF, melody, Temperature
Temperature Transmitter - Receiver