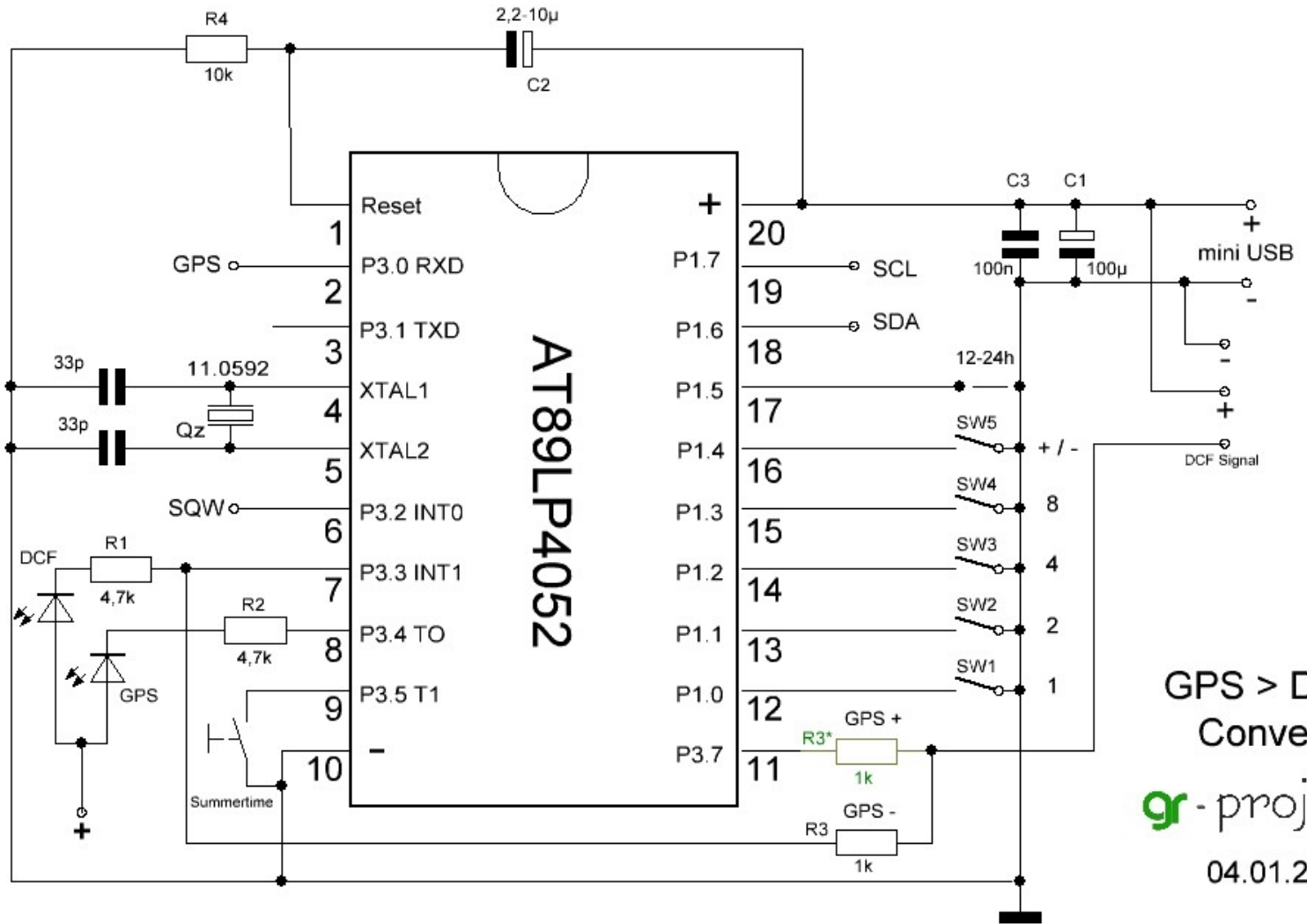
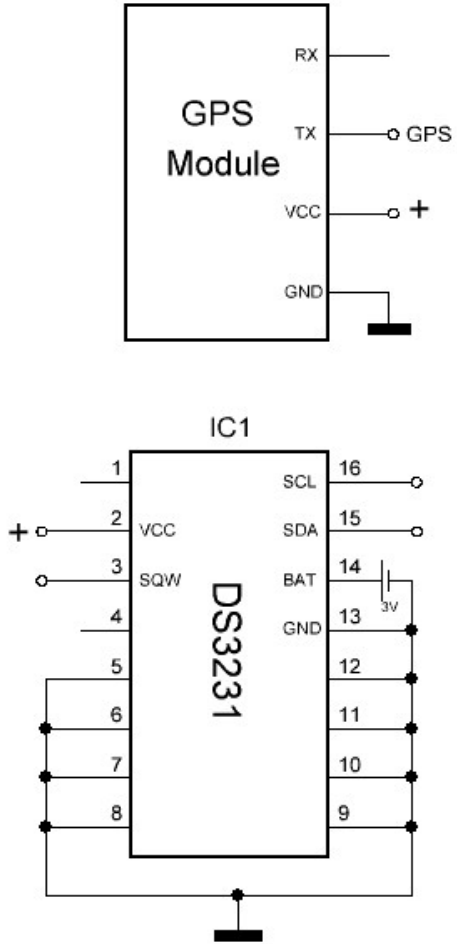


Partse GPS > DCF77 converter

GPS MCU			Parts GPS
PCB	1x		
case	1x		
R1,R2	2x	4,7k	yellow,violet,red
R3	1x	1k	brown,black,red
R4	1x	10k	brown,black,orange
C1	1x	100uF	
C2	1x	10uF	
C3	1x	100nF	104
C4,C5	2x	33pF	
Qz	1x	11.0592 Mhz	
LED	2x		
DIP SW 5 way	1x		
SW	1x		Summertime
Pin header male	2x		Socket AT89LP4052
AT89LP4052	1x		
mini USB plug	1x		
Solder pins	3x		
RTC 3231 module	1x		
GPS module	1x		
Cable	1x		
Battery holder	1x		
Li-Batt. CR1220	1x		
Pads	4x		
Screwe M3 + Hexnuts			

GPS receiver bluetooth version			Parts GPS
5Volt USB wall	1x		Power supply
HC-05 Module	1x		Transmitter
HC-06 Module	1x		Receiver
PCB	1x		
Case	1x		
R1	1x	10k	brown,black,orange
R2	1x	4,7k	yellow, violet,red
C1	1x	100uF	
C2	1x	100nF	104
mini USB plug	1x		
Pads	4x		
Screws	4x		



GPS > DCF77
 Converter
 gr - projects
 04.01.2019